

Poltrona ARTICHOKE / ARTICHOKE *armchair*

design by Studio Gherardi

NOVAMOBILI



misure L x H x P cm /
dimensions W x H x D cm

130 x 90 x 80

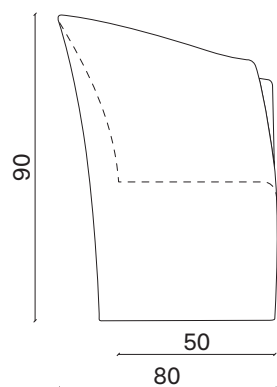
kg. 23 Poltrona base fissa /
Armchair on fixed base

kg. 25 Poltrona base girevole /
Armchair on swivel base

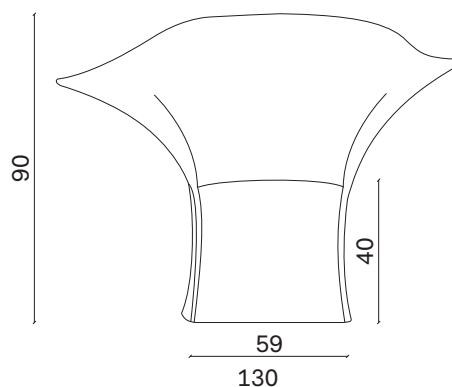
Poltrona con rivestimento sfoderabile in
tessuto ed ecopelle.

*Armchair with removable fabric or
imitation leather covers.*

Vista laterale /
Side view



Vista frontale /
Front view



Vista in pianta /
Plan view

